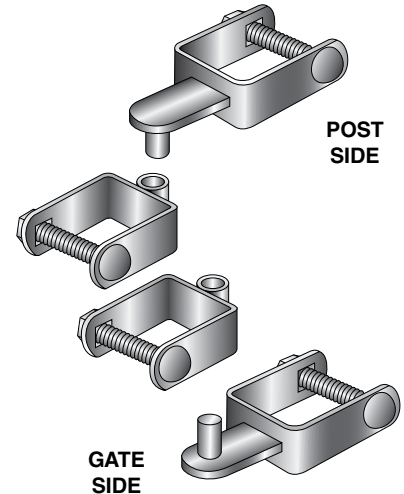


CLAMP-ON HINGE

Kit#	Item#	Post Size	Gate Frame Size	Qty. Per Sack
A1	91000	1"	1"	25
A2	91001	1 1/2"	1"	25
A3	91002	2"	1"	25
A4	91003	2 1/2"	1"	25
A5	91004	1 1/2"	1 1/2"	25
A6	91005	2"	1 1/2"	25
A7	91006	2 1/2"	1 1/2"	25
A8	91007	2"	2"	25
A9	91008	2 1/2"	2"	25

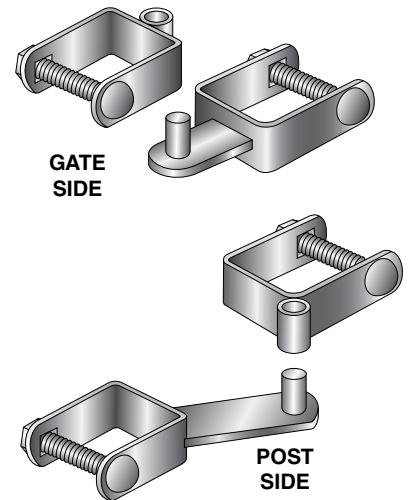
- Requires 2" spacing between hinge post and gate frame.



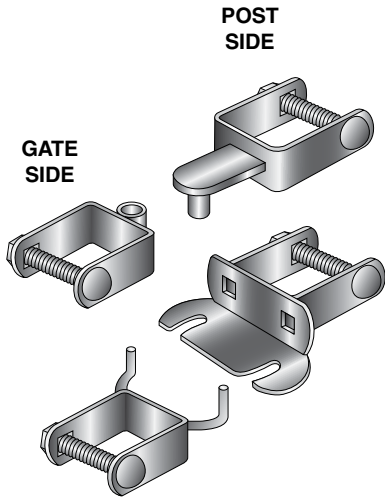
ONE WAY AUTO CLOSING HINGE — GRAVITY

B1	91010	1"	1"	25
B2	91011	1 1/2"	1"	25
B3	91012	2"	1"	25
B4	91013	2 1/2"	1"	25
B5	91014	1 1/2"	1 1/2"	25
B6	91015	2"	1 1/2"	25
B7	91016	2 1/2"	1 1/2"	25
B8	91017	2"	2"	25
B9	91018	2 1/2"	2"	25

- To change direction that gate opens invert offset gate hinge so that pin points down invert upper post hinge so that pin points up.
- To adjust closing speed — position hinges further apart for slower closing speed.
- Requires 2" spacing between hinge post and gate frame.



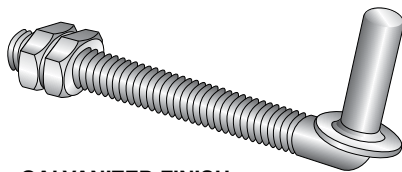
Two Way Auto Closing Gate Hinges Hinge Hanger Bolts



TWO WAY AUTO CLOSING GATE HINGE — GRAVITY

Kit#	Item#	Post Size	Gate Frame Size	Qty. Per Sack
C1	91020	1"	1"	25
C2	91021	1 1/2"	1"	25
C3	91022	2"	1"	25
C4	91023	2 1/2"	1"	25
C5	91024	1 1/2"	1 1/2"	25
C6	91025	2"	1 1/2"	25
C7	91026	2 1/2"	1 1/2"	25
C8	91027	2"	2"	25
C9	91028	2 1/2"	2"	25

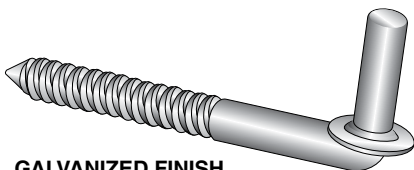
• Requires 3" spacing between hinge post and gate frame.



GALVANIZED FINISH

HINGE HANGER BOLT

Item#	Size	Qty. Per Sack
12801	1/2" x 4 1/2"	250
12802	1/2" x 6"	250
12803	5/8" x 4 1/2"	125
12804	5/8" x 6"	100
12805	5/8" x 8"	100
12806	5/8" x 10"	100
12807	5/8" x 12"	100



GALVANIZED FINISH

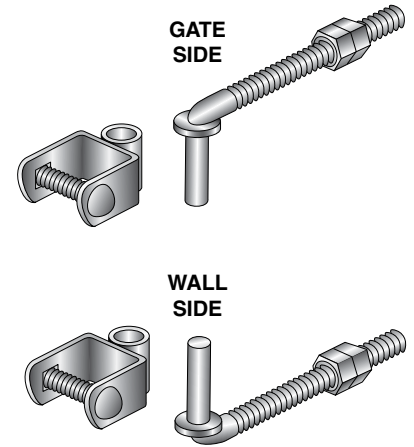
HINGE HANGER BOLT, LAG THREAD

12821	1/2" x 4 1/2"	250
12822	1/2" x 6"	125
12823	5/8" x 4 1/2"	125
12824	5/8" x 6"	125

CLAMP-ON ADJUSTABLE HINGE FOR DRILLED POST

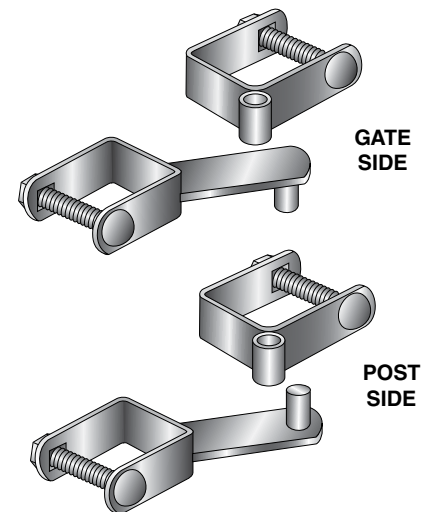
Kit#	Item#	Pin Size	Gate Frame Size	Qty. Per Sack
D1	91030	1/2"	1"	25
D2	91031	1/2"	1 1/2"	25
D3	91032	5/8"	1"	25
D4	91033	5/8"	1 1/2"	25
D5	91034	5/8"	2"	25

- Minimum clearance 1 1/2" maximum 3" between post and gate depending on size of post.



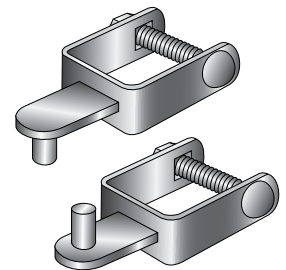
180 DEGREE CLAMP-ON HINGE

Kit#	Item#	Pin Size	Post Size	Qty. Per Sack
E2	91041	1 1/2"	1"	25
E3	91042	2"	1"	25
E4	91043	2 1/2"	1"	25
E5	91044	1 1/2"	1 1/2"	25
E6	91045	2"	1 1/2"	25
E7	91046	2 1/2"	1 1/2"	25
E8	91047	2"	2"	25
B9	91048	2 1/2"	2"	25

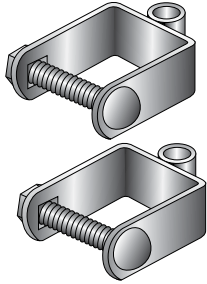


CLAMP-ON POST HINGE

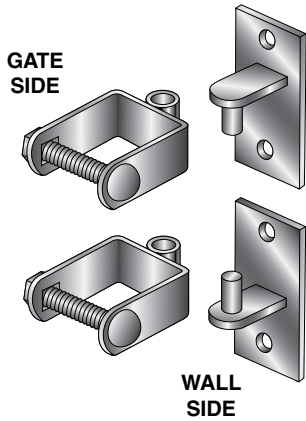
Kit#	Item#	Pin Size	x	Gate Size	Qty. Per Sack
F1	91050	1/2"	x	1"	25
F2	91051	1/2"	x	1 1/2"	25
F3	91052	5/8"	x	1 1/2"	25
F4	91053	1/2"	x	2"	25
F5	91054	5/8"	x	2"	25
F6	91055	1/2"	x	2 1/2"	25
F7	91056	5/8"	x	2 1/2"	25



CLAMP-ON GATE HINGE



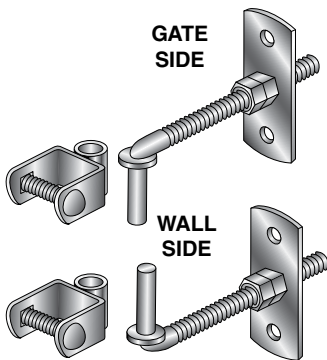
Kit#	Item#	Pin Size	Gate x	Qty. Per Frame Size	Sack
J1	91080	1/2"	x	1"	25
J2	91081	5/8"	x	1"	25
J3	91082	1/2"	x	1 1/2"	25
J4	91083	5/8"	x	1 1/2"	25
J5	91084	1/2"	x	2"	25
J6	91085	5/8"	x	2"	25



CLAMP-ON NON-ADJUSTABLE HINGE

G1	91060	1/2"	x	1"	25
G2	91061	5/8"	x	1"	25
G3	91062	1/2"	x	1 1/2"	25
G4	91063	5/8"	x	1 1/2"	25
G5	91064	1/2"	x	2"	25
G6	91065	5/8"	x	2"	25

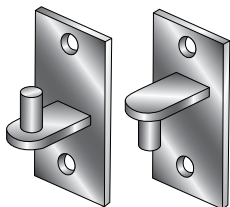
- For use on Flat Wall or Wood Post.
- Requires 2" clearance between mounting surface and gate frame.



CLAMP-ON ADJUSTABLE HINGE

H1	91070	1/2"	x	1"	25
H2	91071	1/2"	x	1 1/2"	25
H3	91072	1/2"	x	2"	25

- Minimum clearance 1 1/2" maximum 3" between mounting surface and gate frame.

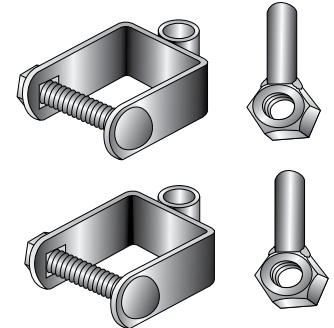


FLAT-WALL HINGE

Kit#	Item#	Pin Size	Qty. Per Sack
H4	91073	1/2"	25
H5	91074	5/8"	25

CLAMP-ON GATE HINGE

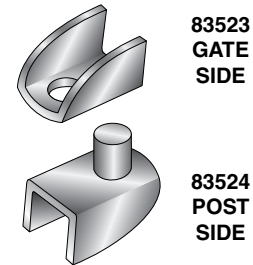
Kit#	Item#	Pin Size	Gate x	Qty. Per Frame Size	Sack
K1	91090	1/2"	x	1"	25
K2	91091	5/8"	x	1"	25
K3	91092	1/2"	x	1 1/2"	25
K4	91093	5/8"	x	1 1/2"	25
K5	91094	1/2"	x	2"	25
K6	91095	5/8"	x	2"	25



- Used with threaded stud already in wall. Specify nut size 1/2" or 5/8"

BATWINGS

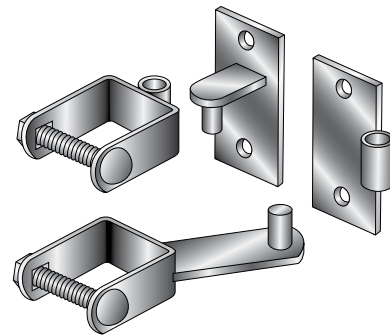
Item#	Hinge Clearance	Qty. Per Sack
83523 Gate Side	2"	100
83524 Gate Side	2"	100



- May be used as a hinge system or in conjunction with hinge bolts or gate hinges.

FLAT-WALL ONE WAY AUTO CLOSING HINGE — GRAVITY

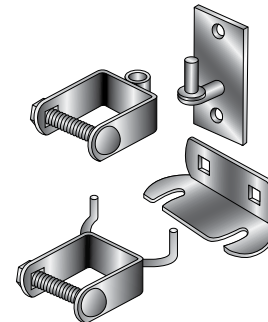
KIT#	Item#	Gate Frame Size	Qty. Per Sack
L1	91100	1"	25
L2	91101	1 1/2"	25



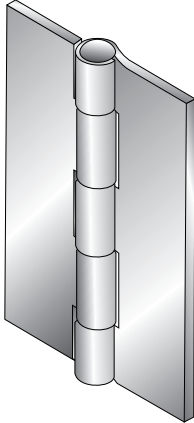
- To change direction that gate opens invert offset gate hinge so that pin points down invert upper post hinge so that pin points up.
- To adjust closing speed — position hinge further apart for slower closing speed.
- Requires 2" spacing between hinge post and gate frame.

FLAT-WALL TWO WAY AUTO CLOSING HINGE — GRAVITY

L3	91102	1"	25
L4	91103	1 1/2"	25



- Requires 3" spacing between hinge post and gate frame.
- Adjust speed same as L1 hinges.



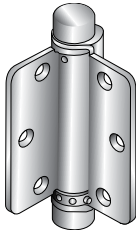
BLANK BUTT HINGE — UNPAINTED

Item#	Size	Hinge Clearance
83356	2 1/4" x 3 1/2"	1/4"
83357	3" x 3" Hvy	1/2"
83360	4" x 4" Hvy	3/4"
83358	5" x 5" Hvy	3/4"
83361	6" x 6" Hvy	1"

- Non removable pin — riveted top and bottom.

BLANK BUTT HINGE — HOT DIP GALVANIZED (BRASS PIN)

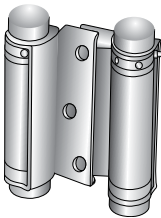
83360-30	4 1/2" x 4"	3/8"
----------	-------------	------



SELF-CLOSING BUTT HINGE

83359	3 1/2" x 3 1/2"	1/4"
-------	-----------------	------

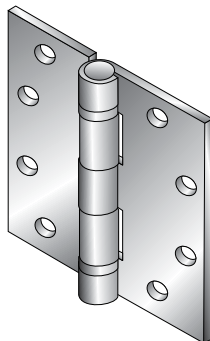
- Adjustable tension for closing speed.



DUAL ACTION BUTT HINGE

83344	3" x 3" Hvy	1/4"
-------	-------------	------

- Two way self-closing.
- Tension adjustable both ways.
- Fits 1" gate frames only.



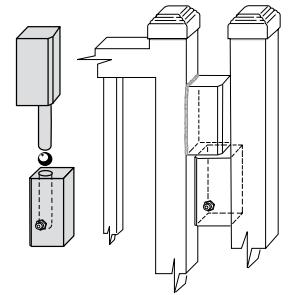
BALL BEARING BUTT HINGE

Item#	Size	Hinge Clearance	Type
83360-20	4 1/2" x 4"	3/8"	Regular
83360-25	4 1/2" x 4 1/2"	7/16"	Heavy
83360-10	4 1/2" x 4"	3/8"	Regular Stainless Steel
83360-15	4 1/2" x 4 1/2"	7/16"	Heavy Stainless Steel

- Regular Hinges have 2 sets Ball Bearing.
- Heavy Hinges have 4 sets Ball Bearing.

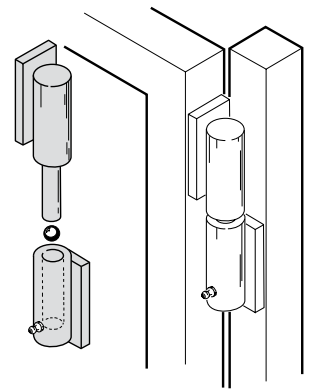
SQUARE TYPE — BALL BEARING HINGE

Item#	Qty. Per Sack	Maximum Gate Wt.	Hinge Height	Pin Size	Hinge Clearance
83390 Small	5 pr.	400 lbs.	4"	1/2"	1 3/8"
83391 Regular	5 pr.	600 lbs.	6"	5/8"	2"
83392 Heavy	5 pr.	1,200 lbs.	8"	3/4"	2 1/2"



BARREL TYPE — BALL BEARING HINGE

83353 Regular	5 pr.	1,200 lbs.	7"	3/4"	2"
83351 Heavy	5 pr.	3,000 lbs.	7"	1 1/4"	3 3/4"



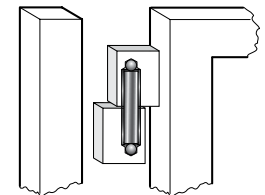
SQUARE TYPE & BARREL TYPE BALL BEARING HINGES, — SPECIFICATIONS

- Stainless Steel Pin
- Heavy duty construction, for residential, commercial, and industrial uses.
- Grease fittings.
- Weld hinge to post and gate.

POWER HINGE — BALL BEARING HINGE

29142 Heavy	5 pr.	3,000 lbs.	6-1/8"	3/4"	3"
-------------	-------	------------	--------	------	----

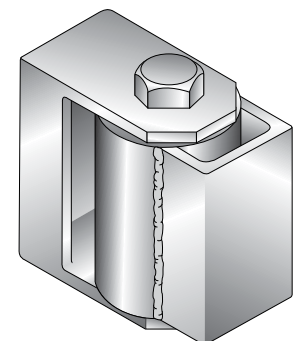
- Stainless Steel Pin, in bronze bushing, two ball bearings.
- Heavy duty for high traffic commercial swing gate applications.
- Super quiet / maintenance free / self lubricating / no grease fittings.
- Weld hinge to post and gate.



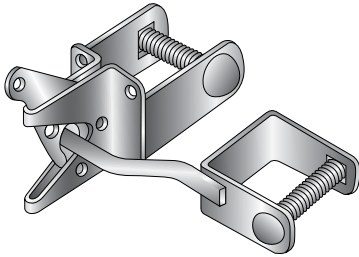
ROLLER BEARING HINGE

Item#	Qty. Per Sack	Maximum Gate Wt.	Hinge Clearance
83354 Heavy	5 pr.	1,700 lbs.	4 1/4"
83354-01 Heavy HQ	N/A	3,000 lbs pr	3 1/4"

- Extra heavy duty construction, for use on unusually heavy gate applications.
- Weld hinge to post and gate.
- Sealed bearing.

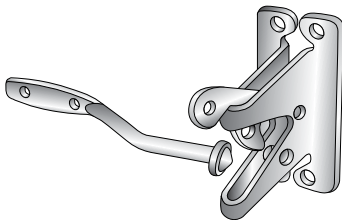


CLAMP-ON STRIKER — BAR LATCH



Kit#	Item#	Post Size	Gate Frame Size	Qty. Per Sack
M1	91110	1"	1"	25
M2	91111	1 1/2"	1"	25
M3	91112	2"	1"	25
M4	91113	2 1/2"	1"	25
M5	91114	1 1/2"	1 1/2"	25
M6	91115	2"	1 1/2"	25
M7	91116	2 1/2"	1 1/2"	25

- For 2 1/2" Post Size — Specify right or left hung. All kits require 2" clearance.

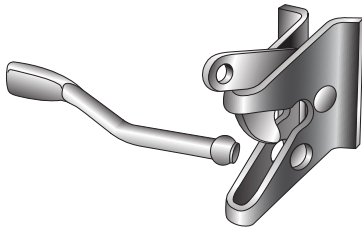


UNIVERSAL GATE LATCH

Item#	Box Qty.
16222	20

- Weld-on or bolt on

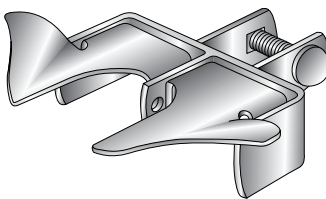
} See ChainLink Section Fittings Page 6



WELD-ON LATCH Unpainted

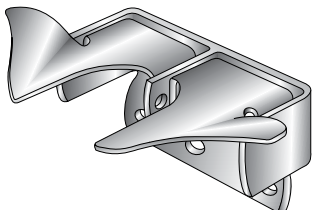
16198	20
-------	----

CLAMP-ON BUTTERFLY LATCH — CLAMPS TO POST



Item#	Post Size	x	Gate Frame Size	Qty. Per Sack
83060	1"	x	1" or 1 1/2"	25
83061	1 1/2"	x	1" or 1 1/2"	25
83062	2"	x	1" or 1 1/2"	25
83063	2 1/2"	x	1" or 1 1/2"	25

- Weld latch to 1" or 1 1/2" gate frame only. Requires 2" clearance.



BUTTERFLY LATCH FLATWALL / WOOD POST

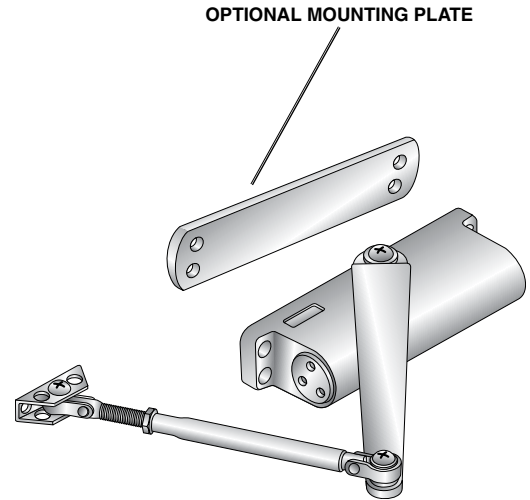
Item#	Gate Frame Size	Qty. Per Sack
83140	1" or 1 1/2"	25

- Latch to 1" or 1 1/2" gate frame only. Requires 2" clearance.
- Weld on or bolt on installation.

HYDRAULIC CLOSERS

Item#	Model
83156	1802-AL Closer
83157	1803-AL Closer
83158	1805-AL Closer
83186	537-AL Plate for 1802-AL & 1803-AL
83187	547 Plate for 1805-AL

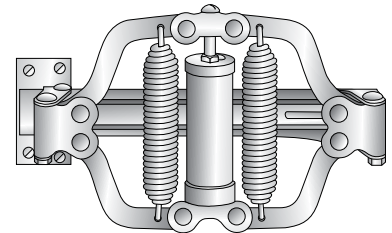
- Right or Left hand mount
- Fully adjustable closing speed
- Available from standard to heavy duty



HYDRAULIC GATE OR DOOR CLOSER

83190	Kant-Slam Cover included
-------	--------------------------

- For gates and doors of all kinds, steel or wood
- Installed on side, top, middle or bottom or Right or Left-hand gates / doors
- Self-contained, quiet, efficient and versatile

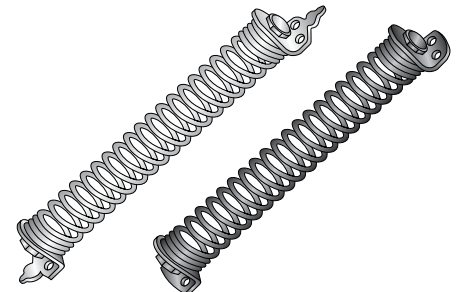


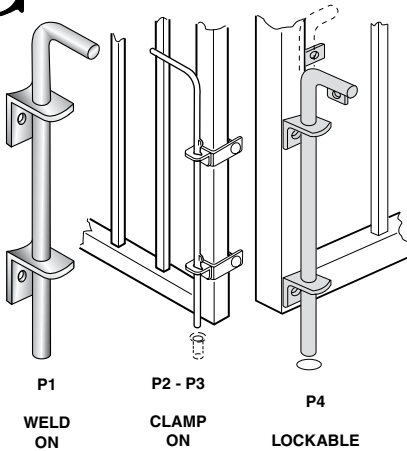
PICTURE SHOWN WITHOUT COVER

SELF-CLOSING GATE SPRINGS

Item#	Finish	Qty. Per Sack
16680	9" Black	10
16410	13" Zinc	10
16411	13" Black	10

- Weld or screw on installation.

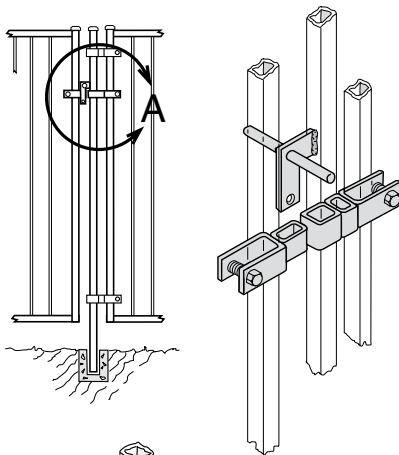




DROP ROD ASSEMBLIES

Kit#	Item#	Description
P1	91130	Drop Rod / Weld on Guides
P2	91131	Drop Rod w/1" Sq. Clamp on Guides
P3	91132	Drop Rod w/1 1/2" Sq. Clamp on Guides
P4	91133	Drop Rod Lockable

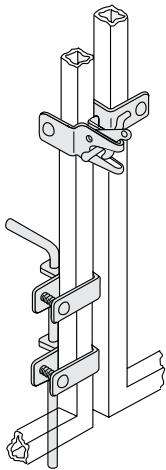
- Kits include cane bolt with (2) clamp on guides or (2) weld on guides and (2) weld on tabs lockable — Lockable uses weld on guides.



CLAMP-ON DOUBLE DRIVE LATCH ASSEMBLY

Kit#	Item#	Gate Frame	Qty. Per Sack
R1	91140	1"	5
R2	91141	1 1/2"	5
R3	91142	2"	5

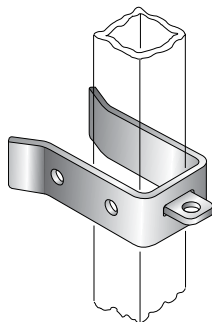
- Requires 4" clearance between leaves.
- Clamp-on installation only.
- Order 1' higher than gate.



RESIDENTIAL DOUBLE DRIVE ASSEMBLY

R5	91144	1"
R6	91145	1 1/2"

- Requires 2" clearance between leaves.
- Kit includes: Cane bolt w/guides
Clamp on striker bar
Clamp on receiver



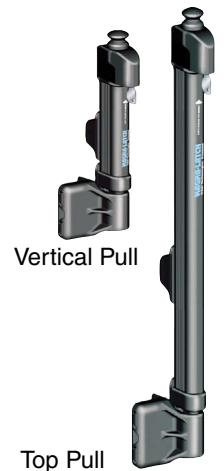
INDUSTRIAL SLIDE GATE LATCH

Item#	Qty. Per Sack
83339	10

- Weld on installation only.
- Includes locking tab.
- Tab welds to gate frame.
- Receiver welds or bolts to post / wall.

MAGNA•LATCH®
MAGNETIC POOL & CHILD SAFETY GATE LATCH

ITEM#	Size (Overall H x W)	Hinge Clearance	Box Weight	Qty. Per Box
49-MLTPS2BGA Top Pull	20 ¹ / ₄ " x 2 ⁵ / ₈ "	1 ¹ / ₂ " - 1 ⁷ / ₁₆ "	15.3 lbs.	10
49-MLVPS2BGA Vertical Pull	7 ¹ / ₄ " x 2 ⁵ / ₈ "	1 ¹ / ₂ " x 1 ⁷ / ₁₆ "	11 lbs.	10
49-MLS2BGA Side Pull	2 ³ / ₄ " x 4"	5 ¹ / ₁₆ " - 3 ⁸ / ₈ "	3.8 lbs.	10



ADAPTOR KIT FOR ROUND POST

49-MLS2RPAKA	Adaptor Kit	3 lbs.	10
--------------	-------------	--------	----



Side Pull

LOKK•LATCH®
GENERAL-PURPOSE GATE LATCHES — Series 2
LOCKABLE, PEDESTRIAN & PRIVACY

GENERAL-PURPOSE

49-LLAA	4 ⁹ / ₁₆ " x 1 ¹ / ₈ "	3 ⁸ / ₈ " x 1 ³ / ₈ "	5.5 lbs.	10
---------	--	---	----------	----

- One model suitable for metal, wood and vinyl
- Narrow posts / stiles

WITH EXTERNAL ACCESS KIT

49-LLAAB	4 ⁹ / ₁₆ " x 1 ¹ / ₈ "	3 ⁸ / ₈ " - 1 ³ / ₈ "	8 lbs.	10
----------	--	---	--------	----

- Allows gate to be operated from outside the fence
- One model suitable for metal, wood and vinyl
- Narrow posts / stiles



ROUND POST TYPE

ITEM#	Hinge Clearance	Box Weight	Qty. Per Box
49-LLABRND	1" - 2"	9.2 lbs.	10

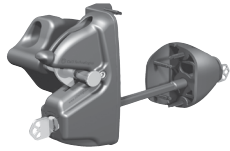
- This model suitable for chain link only
- Push button with key to lock from both sides
- Narrow posts / stiles



Gate Latches — Super-Strong, Molded Engineering Polymers
100% Rust Free, Stainless Steel Components, Limited Lifetime Warranty

Call for pricing & availability on all D & D TECHNOLOGIES latches & hinges.
"Most latches & hinges are available in white."

LOKK•LATCH®
DELUXE HEAVY DUTY
PRIVACY & SECURITY GATE LATCH



Latch + EAK

ITEM#	Size (Overall H x W)	Latch Clearance	Box Weight	Qty. Per Box
49-LLDA-K Latch Only	4 1/2" x 5 7/8"	3/8" - 1 1/2"	11.5 lbs.	6
49-LLDAB-K Latch + EAK (External Access Kit)	4 1/2" x 5 7/8"	3/8" - 1 1/2"	14 lbs.	6

- Locks & unlocks independently.
- Rekeyable lock.
- Works on wood, metal & vinyl.

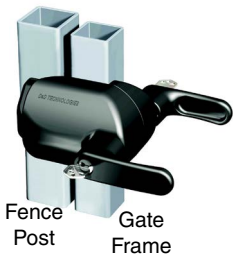
LOKK•LATCH PRO®
SELF LOCKING COMMERCIAL GRADE
SECURITY GATE LATCH



49-LLP1S-K Metal & Wood	4 1/2" x 6 3/4"	1/2" - 1 1/2"	18 lbs.	6
49-LLP2S-K For Vinyl	4 1/2" x 6 3/4"	1/2" - 1 1/2"	14 lbs.	6

- Commercial grade latch.
- Rekeyable lock.
- Automatically locks when closed.
- Key required to open.

Z•LOKK™
MAGNETIC GATE LOCK
Ideal for "Picket-Style" Fencing



Fence
Post Gate
Frame

49-ZL1-K	7 1/2" x 7 7/8"	3/8" - 1 1/4"	17 lbs.	10
49-ZL2-K	7 1/2" x 7 7/8"	3/8" - 1 1/4"	19 lbs.	10

- For most metal gate frames up to 1 5/8"
- This model suitable for only metal.
- Narrow posts / stiles.
- For larger metal gate frames up to 2 1/2"
- Narrow posts / stiles.
- This model suitable for only metal.

Gate Latches — Super-Strong, Molded Engineering Polymers
100% Rust Free, Stainless Steel Components, Limited Lifetime Warranty

Call for pricing & availability on all D & D TECHNOLOGIES latches & hinges.
"Most latches & hinges are available in white."

TRU•CLOSE®
ADJUSTABLE, SELF-CLOSING GATE HINGE
 Regular & Heavy Duty Range — Tension Adjustable, Self-Closing

REGULAR RANGE — Residential
 Gates up to 55 lbs., pair of hinges up to 550 point load.

	ITEM#	Size (Overall H x W)	Hinge Clearance	Box Weight lbs.	Qty. Per Box
A	49-TCA1-MK2	2 ^{1/2} " x 3 ^{13/16} "	3/4"	2.9	10
	49-TCA1L2-MK2	2 ^{1/2} " x 3 ^{13/16} "	3/4"	2.9	10
	49-TCA1L2WT-MK2	2 ^{1/2} " x 3 ^{13/16} "	3/4"	2.9	10

• For Metal

B	49-TCA3L2-MK2	3 ^{3/4} " x 5 ^{1/4} "	3/4"	3.8	10
----------	---------------	---	------	-----	----

• For Wood / Vinyl

C	49-TCAMA2RND	3 ^{3/4} " x 4"	3/4" - 2"	6.2	10
----------	--------------	-------------------------	-----------	-----	----

• For Round-Post Chain Link

CC	49-TCAMA2	3 ^{3/4} " x 4"	3/4" - 2"	6.2	10
-----------	-----------	-------------------------	-----------	-----	----

• For Square-Post

HEAVY DUTY RANGE — Residential/Commercial
 Gates up to 132 lbs., pair of hinges up to 1,000 point load.

D	49-TCHDRND1-MK2	4 ^{3/4} " x 5"	3/4" - 1 ^{3/8} "	9.8	10
----------	-----------------	-------------------------	---------------------------	-----	----

• For Heavy Duty Round-Post Chain Link

E	49-TCHD1AL2-MK2	5" x 3 ^{1/2} "	3/4"	6.8	10
----------	-----------------	-------------------------	------	-----	----

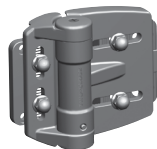
• For Metal

F	49-TCHDMA1	5" x 6 ^{7/8} "	3/4"	6.5	10
----------	------------	-------------------------	------	-----	----

G	49-TCHD2L1S-MK2	5" x 7"	3/4"	6.5	10
----------	-----------------	---------	------	-----	----

• For Large Wood / Vinyl Gates

A TCA1L2-MK2



C TCAMA2RND

CC TCAMA2



F TCHDMA1
Horizontally & vertically adjustable

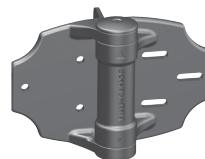
D TCHDRND1-MK2



B TCA3L2-MK2



E TCHD1AL2-MK2



G TCHD2L1S-MK2

Gate Latches — Super-Strong, Molded Engineering Polymers
 100% Rust Free, Stainless Steel Components, Limited Lifetime Warranty

Call for pricing & availability on all D & D TECHNOLOGIES latches & hinges.
 "Most latches & hinges are available in white."

1265 N. CUYAMACA ST. EL CAJON, CA 92020 619-449-0333	13111 DAHLIA ST. FONTANA, CA 92337 909-350-9040	8530 UNSWORTH AVE. SACRAMENTO, CA 95828 916-381-4065	8937 SAN FERNANDO RD. SUN VALLEY, CA 91352 818-504-3700	10010 PORTLAND AVE. TACOMA, CA 98445 253-535-5500
--	---	--	---	---

KWIK•FIT®

GENERAL-PURPOSE GATE HINGE

ITEM#	Size (Overall H x W)	Hinge Clearance	Box Weight	Qty. Per Box
49-KFP Plain Pivoting	3 1/4" x 4 1/4"	3/4"	2 lbs.	10
49-KFS Fixed Tension	3 1/4" x 4 1/4"	3/4"	2.5 lbs.	10
49-KFA Tension Adjustable	3 1/4" x 4 1/4"	3/4"	2.5 lbs.	10



- KFP**
- Not self-closing
 - No spring
 - Plain pivoting



- KFS**
- Self-closing
 - Fixed tension
 - Stainless steel spring



- KFA**
- Self-closing
 - Adjustable tension
 - Stainless steel spring

Maximum load per pair of hinges is 375 lbs.



GATE•HANDLE™

ERGONOMIC, REVERSIBLE GATE HANDLE

ITEM#	Size Color	Box (Overall H x W)	Qty. Per Weight	Qty. Per Box
49-LLHBG	Black	1 3/4" x 5"	.5 lbs.	10
49-LLHBGWT	White	1 3/4" x 5"	.5 lbs.	10



GATE•STOP™

SOFT & QUIET GATE-STOP

49-TCGS1	Black	5 1/4" x 4 3/4"	3 lbs.	10
49-TCGS1WT	White	5 1/4" x 4 3/4"	3 lbs.	10

Vinyl (PVC) Gates

49-TCGS2	Black	3 5/8" x 4 3/4"	2.5 lbs.	10
49-TCGS2WT	White	3 5/8" x 4 3/4"	2.5 lbs.	10

Wooden Gates

49-TCGS3	Black	2 1/2" x 3 5/8"	1 lbs.	10
----------	-------	-----------------	--------	----

Metal Gates



LOKK•BOLT®

**LOCKABLE, SECURITY DROP BOLT — KSA Model For Metal,
Wood & Vinyl. Locks in the UP or DOWN Position and is Rekeyable**

49-LB118BX	Black	18" x 4 1/8"	14.5 lbs.	6
49-LB118BXWT	White	18" x 4 1/8"	14.5 lbs.	6
49-LB124BX	Black	24" x 4 1/8"	19.5 lbs.	6
49-LB124BXWT	White	24" x 4 1/8"	19.5 lbs.	6

**Gate Latches — Super-Strong, Molded Engineering Polymers
100% Rust Free, Stainless Steel Components, Limited Lifetime Warranty**

Call for pricing & availability on all D & D TECHNOLOGIES latches & hinges.
"Most latches & hinges are available in white."