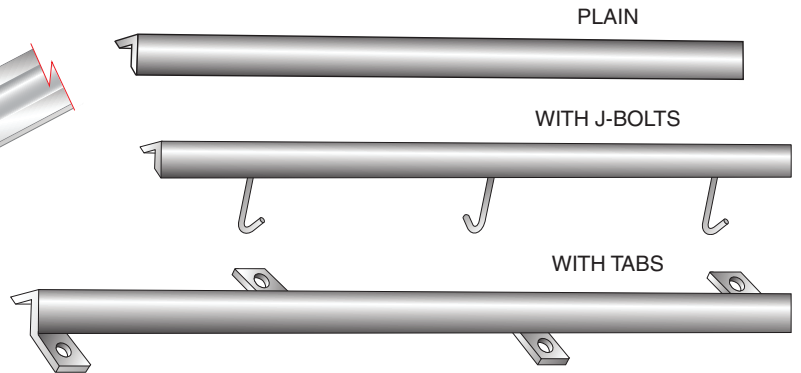
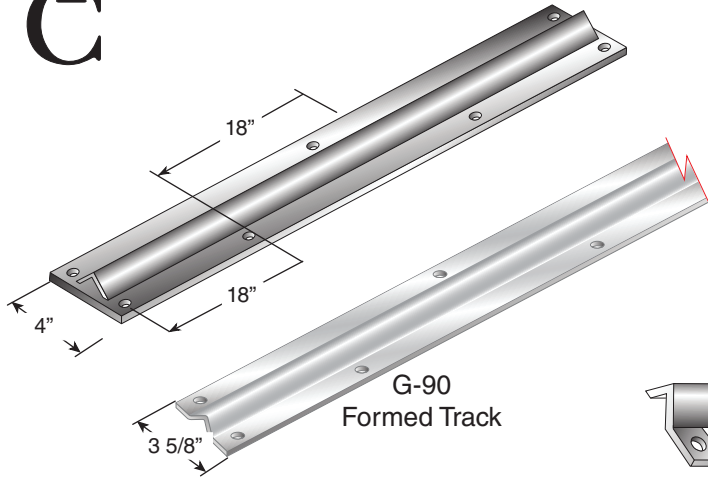


ASTM A Solid In 36 Steel  
20' lengths only

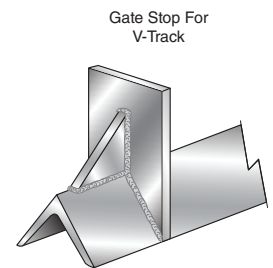


## GALVANIZED V-TRACK — FOR USE WITH V-GROOVE WHEEL 1 1/2" Solid Angle Bar Stock Track, Straight Edge Top, Hot Dip Galvanized

Item#	Style	Solid Bar Angle Size
83561-G	Plain	1 1/2" x 1 1/2" x 3/16"
83575-G	With J-Bolts	1 1/2" x 1 1/2" x 3/16"
83576-G	With Tabs	1 1/2" x 1 1/2" x 3/16"
83577-G	On 1/4" x 4" Plate	1 1/2" x 1 1/2" x 3/16"
83575-G3J	Inside 3" Channel w/ J-Bolts	1 1/2" x 1 1/2" x 3/16"
83574-G	With J-Bolts	2" x 2" x 1/4"

## 1 1/2" Formed Angle Track, Radius Edge Top, Hot Dip Galvanized

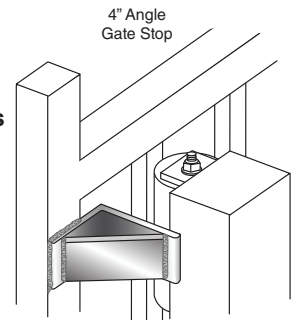
Item#	Style	Formed Angle Size
83561-GF	Plain	1 1/2" x 1 1/2" x 3/16"
83575-GF	With J-Bolts	1 1/2" x 1 1/2" x 3/16"
83576-GF	With Tabs	1 1/2" x 1 1/2" x 3/16"
83577-GF	On 1/4" x 4" Plate	1 1/2" x 1 1/2" x 3/16"



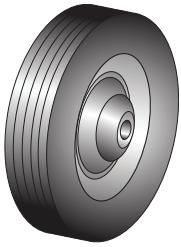
## G-90 Pre Galvanized

83577-GT	12ga. G-90 Formed Plate with 7/16" holes
----------	--

- J-bolts or tabs are positioned every 18"
- Tabs on alternate sides have holes for mounting
- When using 1/4" x 4" plate, 1/2" holes are drilled every 18" in alternate positions for anchor bolts
- Please specify the style required when ordering
- Available in 20' lengths only



83339-30	Gate Stop for V-Track, Zinc Plated
83339-10	4" Angle Gate Stop with Gusset (mount to gate)



### RUBBER GROUND WHEEL — BALL BEARING ( P. S. HUB )

Item#	Size	Sack Qty.	Sack Wt.
14702	6" x 5/8" Axle	6	12 lbs.
14704	8" x 5/8" Axle	6	18 lbs.



### EVERLAST RUBBER WHEEL Tested to Exceed 5,000 lbs. — 2" Tire width

14752	6" x 5/8" Axle	5	18 lbs.
14754	8" x 5/8" Axle	5	20 lbs.



### V-GROOVE WHEEL — IRON With Steel Roller Bearing — Includes Axle

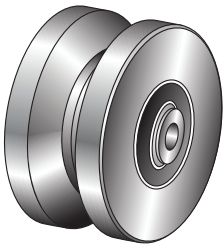
14718	4" x 1/2" Axle	1 1/2" width	4	20 lbs.
14705	4" x 1/2" Axle	2" width	4	20 lbs.
14706	6" x 1/2" Axle	2" width	4	28 lbs.

14706-DEL	6" x 5/8" Axle	2" width	4	27 lbs.
-----------	----------------	----------	---	---------

With Delrin Bushing — Tested to Exceed 3,500 lbs. — Includes 5/8" Axle

14707	8" Diameter	3 1/4" width	4	38 lbs
-------	-------------	--------------	---	--------

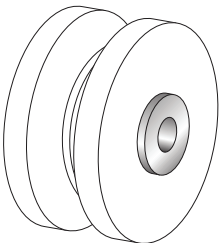
1" Axle not included



### V-GROOVE WHEEL — SOLID STEEL

14706-10	6" Solid Steel Wheel 4,000 lbs. capacity each wheel	4
14706-EL	6" Solid Steel Power Wheel 5,000 lbs. capacity each wheel	4
14705-10	4" Solid Steel Power Wheel 3,000 lbs. capacity each wheel	4

- Solid Steel Wheels are designed to be maintenance free on continuous duty applications
- 4" wheel includes two - 2" sealed bearings with 1" axle and one 1/2" x 3.25" bolt with nut
- 6" wheel includes two - 2.5" sealed bearings with 1.18" axle and one 5/8" x 3.25" bolt with nut



### V-GROOVE NYLON WHEEL

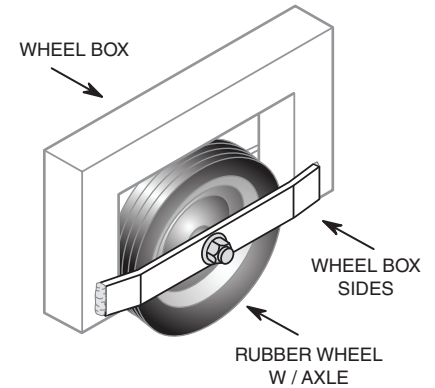
14692	4" Diameter	4
-------	-------------	---

- Recommended on light weight gates for quiet operation
- 1/2" diameter axle with lubricated brass bushing

## COMPLETE WHEEL ASSEMBLY

Item#	Description	Qty. Per Sack
83362	6" w/ 5/8" Axle	4
83364	8" w/ 5/8" Axle	4
83366	Box Sides only (set of 2)	

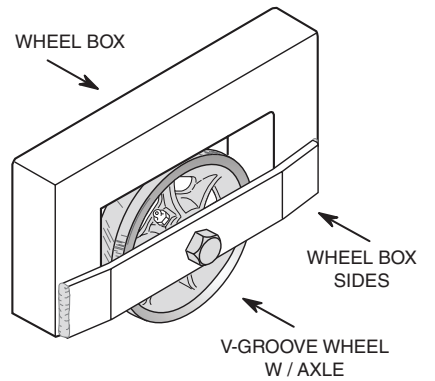
- Wheels available as complete assembly, wheel only, sides only
- Specify 1/2" or 5/8" axle size when ordering wheel only
- Complete assembly is designed for weld on application only
- Specify 1 1/2" or 2" frame size when ordering assembly



## COMPLETE WHEEL ASSEMBLY

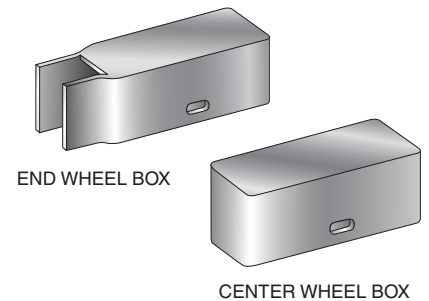
83369	6" Wheel Assembly Includes V-Groove wheel # 14706	4
83366	Box Sides only (set of 2)	

- Complete assembly is designed for weld on application only
- Specify 1 1/2" or 2" frame size when ordering assembly



## WHEEL BOX FOR 2" x 4" BOTTOM RAIL

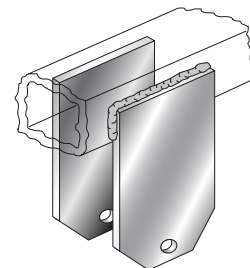
83374E	End Wheel Box 6" x 5/8" axle	4
83374C	Center Wheel Box 6" x 5/8" axle	4



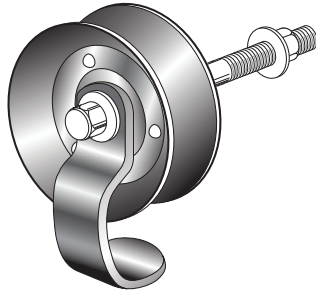
## WHEEL PLATE — (PAIR)

83367-10	Wheel Plates	4
----------	--------------	---

Sold in pairs. The wheel plates are 3/16" x 3 1/2" x 6" with a 1/2" dia. hole and made for welded applications.



**SAFETY PIPE TRACK WHEEL — PRESSED STEEL, WITH 6” BOLT**



Item#	Qty. Per Sack	Sack Weight
14810	10	30 lbs.

- For use with 1 5/8” pipe track
- See page 6 for clamp on brackets
- This 5” Track Wheel is designed for clamp-on applications and clamp-on brackets must be utilized

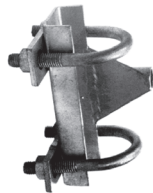


Pressed Steel  
with Delrin Bushing

**5” PRESSED STEEL TRACK WHEEL**

14800-DEL	10	23 lbs.
-----------	----	---------

Pipe track roller with retainer.



Double Bracket

**PRESSED STEEL DOUBLE BRACKET**

14812-DEL	10	26 lbs.
-----------	----	---------

**◇ 5” TRACK WHEEL WITH DOUBLE BRACKET**

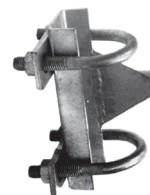
14811-DEL	10	53 lbs.
-----------	----	---------

- Galvanized Iron — 5” Track Wheel
- Pressed Steel — Double Bracket

Pressed Steel  
with Delrin Bushing



Double Bracket



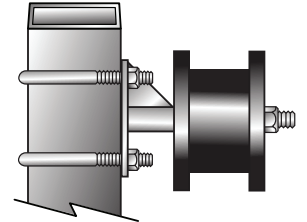
◇ Sold as a set only

**CANTILEVER  
ROLLERS & COVERS**  
• Wheel covers required for all cantilever wheels.  
— Sold separately —

**CANTILEVER HARDWARE WITH NYLON ROLLERS**

Item#	Style	Qty. Per	Sack
		Sack	Weight
14714-RND	4" round post x 2" square frame	8	44 lbs.
14714-SQ	4" square post x 2" square frame	8	44 lbs.

- Hot-dipped galvanized chassis / Graphite impregnated nylon cantilever gate roller
- Fits 2" square tubing and is shown with 4" square mount
- 2,200 lbs. rating



**CANTILEVER ROLLER COVERS**

PolyPlastic	14722-10F	28	1.5 lbs.
Fits 14714-RND and 14714-SQ above			

Covers for square gate frame would require some cutting "out" since the covers are all for round gate frames.

Plastic Cover	14722-10H	16	1.5 lbs.
---------------	-----------	----	----------

- With pressed steel bracket
- Fits 14716-10F and 14711-15, and 2 7/8" & 4" galvanized iron wheels
- Polyethylene plastic with UV inhibitors or pressed steel
- Adjustable cover and adapts to most cantilever wheels

14722-10F



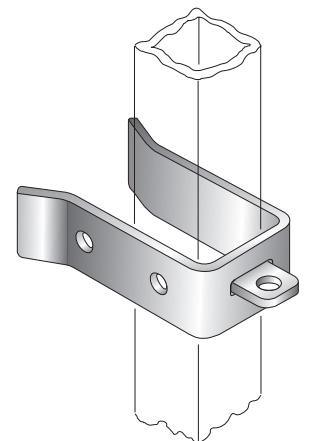
14722-10H



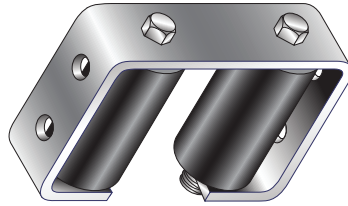
**INDUSTRIAL SLIDE GATE LATCH**

Item#	Qty. Per Sack
83339	10

- Weld on installation only
- Tab welds to gate frame
- Includes locking tab
- Receiver welds or bolts to post / wall



## TYPE I — SLIDE GATE ROLLER ASSEMBLY



Item#	Style	Qty. Per Sack
83559	TYPE I * w/Bronze Bushing	6



## TYPE II — SLIDE GATE ROLLER ASSEMBLY

83580	4" Black w/Bronze Bushing	6
83558-10	6" Black w/Ball Bearings	6
83580-12B	12" Black w/Ball Bearings	6
83580-12C	12" Clear w/Ball Bearings	6

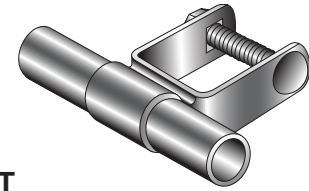
\* TYPE I: For use on Regal, Empire, and Napoleon style gates.

\*\* TYPE II: For use on Aristocrat, Guardian, Modern and all style gates.

Slide gate roller assemblies are designed for use on gates manufactured with:

- V-Groove wheels located at both ends of the gate
- Weld on or bolt on installation
- Refer to roller assembly style gate pages in the
- Larger gates may require two (2) slide gate roller assemblies

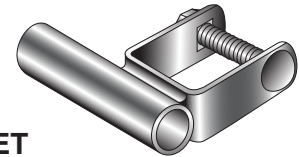
SEE FENCING & GATE section for installation detail.



## TRACK BRACKET

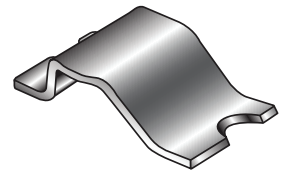
Item#	Style	Qty. Per Sack
83553	2"	20
83554	2 1/2"	20
14907	Flat Wall	10

- Used for attaching pipe track to fence line.
- Refer to post size when ordering.



## CLAMP-ON BRACKET

83555	1 1/2"	25
83556	2"	25



## TRACK SPACER FOR CHANNEL BRACKET

15001	All Sizes	25
-------	-----------	----

- Weld on or use U-bolt for track installation
- Use one track spacer at every mounting point
- Used to space channel track away from mounting surface

# BFC Bottom Track Cantilever Gate System

## BFC SYSTEM COMPONENTS — MEDIUM

Item#	Sample	Description	Each Gate Requires
146323.6	C	Medium Track, 20' Galv	1 or more
146301.8M	D	Medium 8 Wheel Support Roller	2
14727-16	F	1/2" x 16" Galv L Bolt W/Nut & Washer	8
146310.M	A	Cantilever Gate Limit Stop Medium	1 or 2
146307.M	H	End Cap With Wheel	1 or 2
146309.M	B	Steel Cap For Medium Track	1 or 2
83580	G	BFC Type II (OH Roller Set)	2

236" long track sold in  
FULL LENGTHS ONLY\*  
24 foot maximum opening  
1,200 lbs maximum load  
All items are galvanized steel

## BFC SYSTEM COMPONENTS — LARGE

147328.6	C	Large Track, 20' Galv	1 or more
147301.8L	D	Large 8 Wheel Support Roller	2
14728-16	F	5/8" x 16" Galv L Bolt W/Nut & Washer	12
14726-TGP	E	(Optional) Ground Plate	2
147310.L	A	Cantilever Gate Limit Stop Large	1 or 2
147307.L	H	End Cap With Wheel	1 or 2
147309.L	B	Steel Cap For Large Track	1 or 2
83580	G	BFC Type II (OH Roller Set)	2

236" long track sold in  
FULL LENGTHS ONLY\*  
33 foot maximum opening  
2,200 lbs maximum load  
All items are galvanized steel

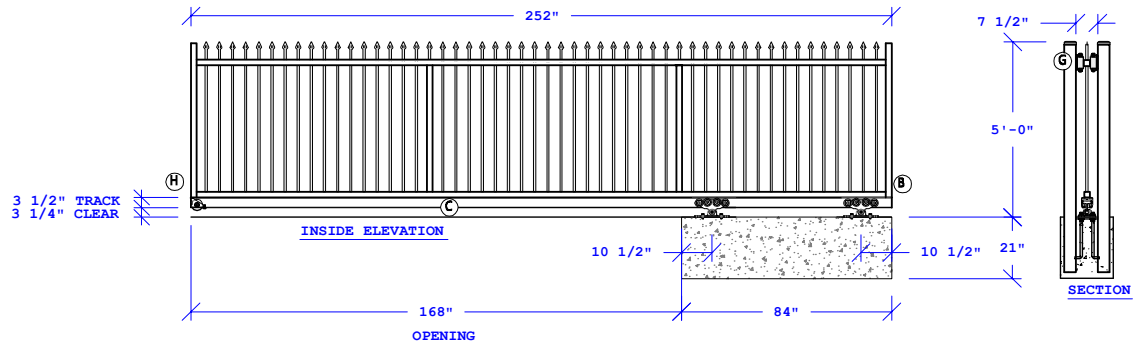
## BFC SYSTEM COMPONENTS — XTRA LARGE

148333.6	C	Xtra Large Track, 20' Galv	1 or more
148301.8XL	D	Xtra Large 8 Wheel Support Roller	2
14729-M20	F	3/4" x 16" Galv L Bolt W/Nut & Washer	12
14729-TGP	E	(Optional) Ground Plate	2
148310.XL	A	Cantilever Gate Limit Stop XL	1 or 2
148307.XL	H	End Cap With Wheel	1 or 2
148309.XL	B	Steel Cap For XL Track	1 or 2
83580	G	BFC Type II (OH Roller Set)	2

236" long track sold in  
FULL LENGTHS ONLY\*  
55 foot maximum opening  
4,400 lbs maximum load  
All items are galvanized steel

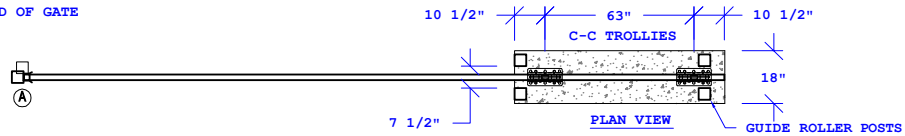
147301.8LAV		Conversion kit for large support roller to fit Piccolo track	2
146304.M73		2 7/8" OD post clamp on mounting bracket for medium support roller	2
147304.8L102		4" OD round post clamp on mounting bracket for large support roller	2
147304.8L102Q		4" square post clamp on mounting bracket for large support roller	2

**FOR THE PLACEMENT OF THE SYSTEM COMPONENTS  
SEE THE DRAWING ON THE FOLLOWING PAGE**

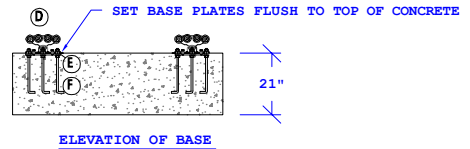


RECEIVER CUP (A)  
 AT BOTTOM OF GATE, WELDS TO POST  
 USE (H) AT LATCH END AND (B) AT OTHER END  
 LATCH POST CAN GO ON SIDE OR AT END OF GATE

2" SQ 11 GA PREGALV FRAME  
 3/4" SQ 16 GA PREGALV PICKETS AT 4 1/2" OC  
 FINISH: POWDER COAT BLACK



CONCRETE BASE FOR THIS GATE: 18" W X 21" D X 7' L  
 USES .8 CUBIC YARDS CONCRETE  
 (DOES NOT INCLUDE AMOUNT USED FOR POSTS)



BUILDERS FENCE COMPANY	CONTRACTOR:	PROJECT:
DATE 10/24/12 J. FORREST	SCALE:	DETAIL: ARISTOCRAT CANTILEVER GATE
		DWG NO. BFC-XXX

- (A) Receiver Cup
- (B) End Cap
- (C) Cantilever Bottom Track \*
- (D) Cantilever Gate Trolley
- (E) (Optional) Trolley Ground Plate
- (F) Hook Bolts
- (G) BFC Type II (O.H. roller set)
- (H) End Cap With Wheel

1265 N. CUYAMACA ST. EL CAJON, CA 92020 619-449-0333	13111 DAHLIA ST. FONTANA, CA 92337 909-350-9040	8530 UNSWORTH AVE. SACRAMENTO, CA 95828 916-381-4065	8937 SAN FERNANDO RD. SUN VALLEY, CA 91352 818-504-3700	10010 PORTLAND AVE. TACOMA, WA 98445 253-535-5500
--	---	--	---	---