

BFC BOTTOM TRACK CANTILEVER GATE SYSTEM

BFC SYSTEM COMPONENTS — MEDIUM

Item#	Sample	Description	Each Gate Requires	Price Each
146323.6	C	Medium Track, 20' Galv	1 or more	
146301.8M	D	Medium 8 Wheel Support Roller	2	
14727-16	F	1/2" x 16" Galv L Bolt W/Nut & Washer	8	
146310.M	A	Cantilever Gate Limit Stop Medium	1 or 2	
146307.M	H	End Cap With Wheel	1 or 2	
146309.M	B	Steel Cap For Medium Track	1 or 2	
83580	G	BFC Type II (OH Roller Set)	2	

236" long track sold in FULL LENGTHS ONLY*
24 foot maximum opening
1,200 lbs maximum load
All items are galvanized steel

BFC SYSTEM COMPONENTS — LARGE

Item#	Sample	Description	Each Gate Requires	Price Each
147328.6	C	Large Track, 20' Galv	1 or more	
147301.8L	D	Large 8 Wheel Support Roller	2	
14728-16	F	5/8" x 16" Galv L Bolt W/Nut & Washer	12	
14726-TGP	E	(Optional) Ground Plate	2	
147310.L	A	Cantilever Gate Limit Stop Large	1 or 2	
147307.L	H	End Cap With Wheel	1 or 2	
147309.L	B	Steel Cap For Large Track	1 or 2	
83580	G	BFC Type II (OH Roller Set)	2	

236" long track sold in FULL LENGTHS ONLY*
33 foot maximum opening
2,200 lbs maximum load
All items are galvanized steel

BFC SYSTEM COMPONENTS — XTRA LARGE

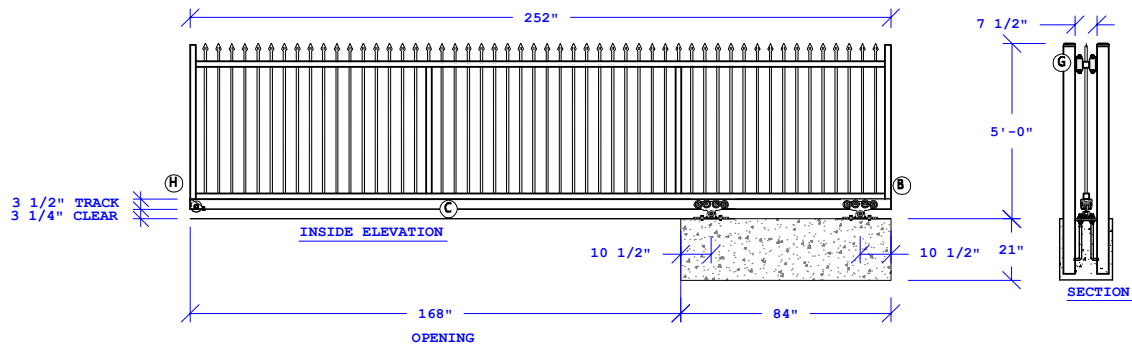
Item#	Sample	Description	Each Gate Requires	Price Each
148333.6	C	Xtra Large Track, 20' Galv	1 or more	
148301.8XL	D	Xtra Large 8 Wheel Support Roller	2	
14729-M20	F	3/4" x 16" Galv L Bolt W/Nut & Washer	12	
14729-TGP	E	(Optional) Ground Plate	2	
148310.XL	A	Cantilever Gate Limit Stop XL	1 or 2	
148307.XL	H	End Cap With Wheel	1 or 2	
148309.XL	B	Steel Cap For XL Track	1 or 2	
83580	G	BFC Type II (OH Roller Set)	2	

236" long track sold in FULL LENGTHS ONLY*
55 foot maximum opening
4,400 lbs maximum load
All items are galvanized steel

147301.8LAV		Conversion kit for large support roller to fit Piccolo track	2	
146304.M73		2 7/8" OD post clamp on mounting bracket for medium support roller	2	
147304.8L102		4" OD round post clamp on mounting bracket for large support roller	2	
147304.8L102Q		4" square post clamp on mounting bracket for large support roller	2	

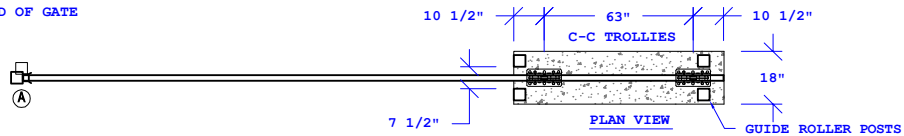
**FOR THE PLACEMENT OF THE SYSTEM COMPONENTS
SEE THE DRAWING ON THE FOLLOWING PAGE**

BFC BOTTOM TRACK CANTILEVER GATE SYSTEM

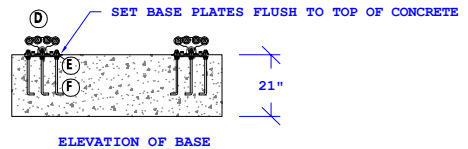


RECEIVER CUP (A)
 AT BOTTOM OF GATE, WELDS TO POST
 USE (H) AT LATCH END AND (B) AT OTHER END
 LATCH POST CAN GO ON SIDE OR AT END OF GATE

2" SQ 11 GA PREGALV FRAME
 3/4" SQ 16 GA PREGALV PICKETS AT 4 1/2" OC
 FINISH: POWDER COAT BLACK



CONCRETE BASE FOR THIS GATE: 18" W X 21" D X 7' L
 USES .8 CUBIC YARDS CONCRETE
 (DOES NOT INCLUDE AMOUNT USED FOR POSTS)



BUILDERS FENCE COMPANY	CONTRACTOR:	PROJECT:
DATE 10/24/12 J. FORREST	SCALE:	DETAIL: ARISTOCRAT CANTILEVER GATE
		DWG NO. BFC-XXX

- (A) Receiver Cup
- (B) End Cap
- (C) Cantilever Bottom Track *
- (D) Cantilever Gate Trolley
- (E) (Optional) Trolley Ground Plate
- (F) Hook Bolts
- (G) BFC Type II (O.H. roller set)
- (H) End Cap With Wheel

8530 UNSWORTH AVE. SACRAMENTO, CA 95828-1009 1-916-381-4065	13111 DAHLIA ST. FONTANA, CA 92337-6902 1-909-350-9040	8937 SAN FERNANDO RD. SUN VALLEY, CA 91352-1410 1-818-504-3700	1265 N. CUYAMACA ST. EL CAJON, CA 92020-1549 1-619-449-0333	10010 PORTLAND AVE. TACOMA, WA 98445-3956 1-253-535-5500
---	--	--	---	--