



Security Doors Pricing Table

Stock Security Door Guard

81" x 32", 34" or 38".....

Security Door Guards

to 85" high and 52" wide
custom made to each application.....

Security Door Guards

for sliding glass doors
72" to 101" wide
102" to 125" wide.....

Other Features

Table listing features like Perforated metal, Fly Strap, Expanded metal, Passage Latch, Double Cylinder, Kwikset, Schlage, Lockguard, Solid Pickets, Security Door Handle with associated costs.

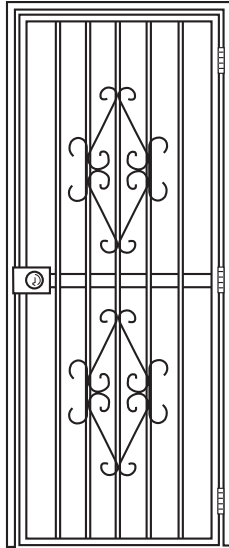
Security Door Specifications

- 1" x 1 1/2" tubular steel outer frame, drilled with 6 - 3/8" holes
1" x 1" tubular steel inner door frame
5/8" square tubular steel vertical pickets @ 4 1/2" O.C.
6 - 5/16" x 4" one-way screws included
2 - sets of decorative scrolls per door (3/16" x 1/2")
Heavy duty lock box for single or double cylinder deadbolt
Power washed for metal preparation and painted with rust inhibiting, black, metal primer

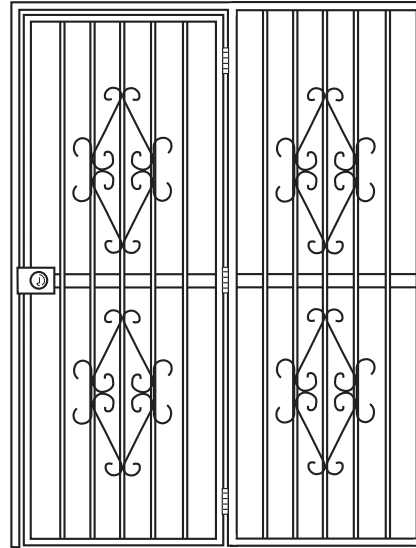
Standard color is Black — Brown or White colors available, add 20%

Table with 5 columns containing contact information for Sacramento, Fontana, Sun Valley, El Cajon, and Tacoma offices.

Security Doors Ordering Checklist



Standard Security Door



Sliding Glass (Patio) Security Door

Use this checklist to insure that your order is correct

MEASUREMENTS

Net size, outside
of Door Guard
outlet frame

MOUNTING

- Flush mount
- Inside mount
- Other (specify)
- Frame drilled
- Tab mount

LOCKBOX STYLE

- Double hole box
- Single hole box
- Large holes
- Small holes
- Unequal holes

COLOR

- Black
- Brown
- White

FILL

- Pickets only
- Expanded metal
- Perforated metal

FLY STRAP

- Yes
- No

DOOR HANGS

- Left hung
- Right hung
- Opens out

PATIO DOORS

- Left side opens
- Right side opens

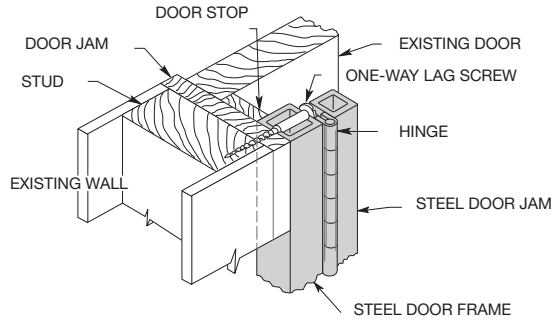
LOCKS

- Passage latch, Marquis
- Passage latch
- Deadbolt
- Double cylinder
- Single cylinder
- Self-closing lock
- Deadlatch
- Security handle
- Lockquards

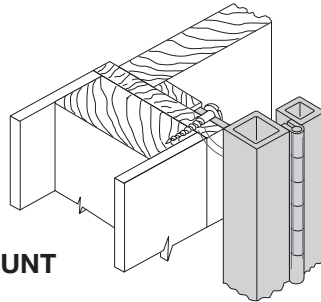
FASTENERS

- One-way screws

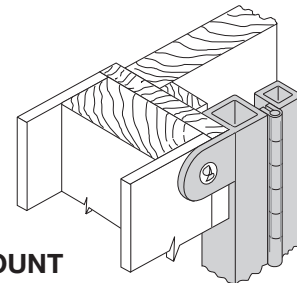
Security Doors Mounting Variations



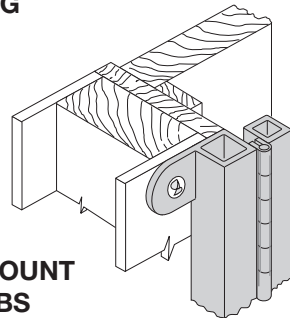
FLUSH MOUNT



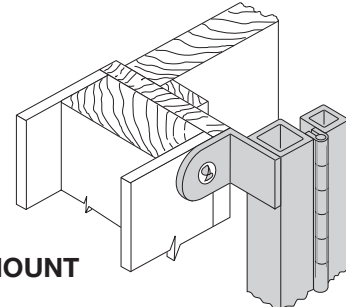
FLUSH MOUNT WITH TAB OR STRAP BACKING



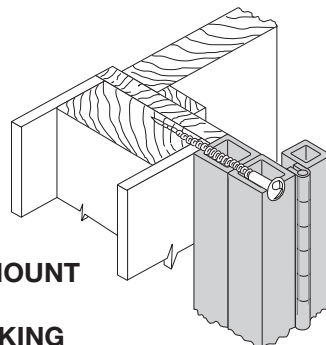
FLUSH MOUNT WITH TABS



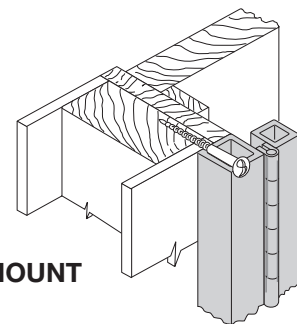
SURFACE MOUNT WITH TABS



SURFACE MOUNT WITH STAND-OFF TABS

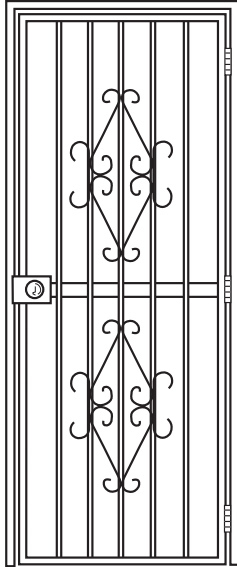


SURFACE MOUNT WITH TUBE BACKING

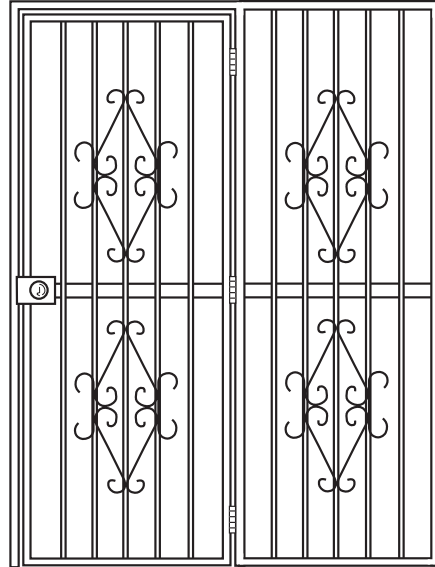


SURFACE MOUNT

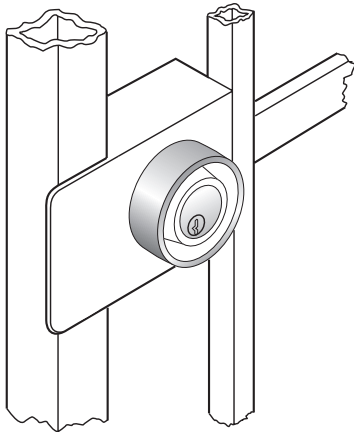
Security Doors



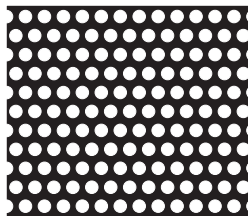
Standard Security Door



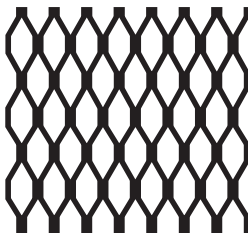
Sliding Glass (Patio) Security Door



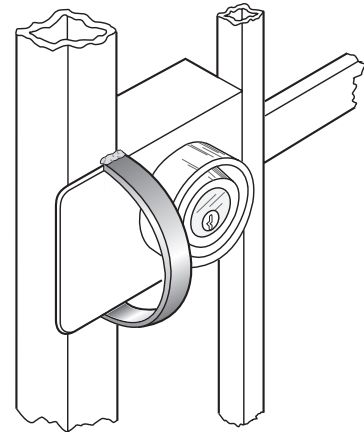
**Lockguard
(Optional)**



Perforated Metal Fill



Expanded Metal Fill



**Security Door Handle
(Optional)**

All security doors are available in standard and non-standard sizes.
See page 2 for standard size pricing. Standard color is black.
Security doors are available painted brown or white for an additional 20 %.