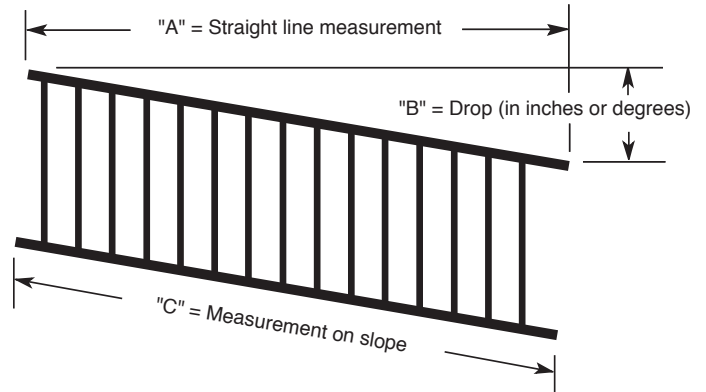


HILLSIDE (BIASED) PANELS OR GATES

When ordering hillside (biased) panels or gates, specify the following:

1. Panel height — **and** —
2. Style — **and** —
3. Drop in inches or degrees ("B") — **and** —
4. Straight line measurement ("A") — **or** —
5. Measurement on slope ("C")

When ordering Aristocrat or Modern style, specify which side of the panel or gate is the high side as viewed from outside the fence line.
Add per lineal foot — \$



TAPERED PANEL OR GATE

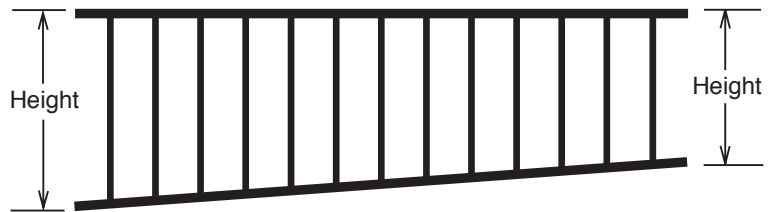
Pre-manufactured tapered panels can simplify an otherwise difficult installation.

When ordering:

SPECIFY height of BOTH ends of the panel or gate.
SPECIFY which rail (TOP or BOTTOM) tapers.

When using Aristocrat or Modern style, SPECIFY which end of the panel or gate is tallest (left end or right end) as you view the taper from outside the fence line.

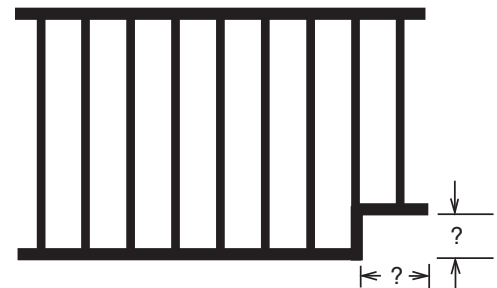
Add to Non-standard prices.
Add per lineal foot — \$



NOTCHED PANEL OR GATE

Panel notches are manufactured in any panel or gate.
When ordering, specify HEIGHT and WIDTH of notch.

When using Aristocrat or Modern style, specify which end of the panel or gate is notched. (View from outside fence line.)
Add to Non-standard prices.
Add per notch — \$

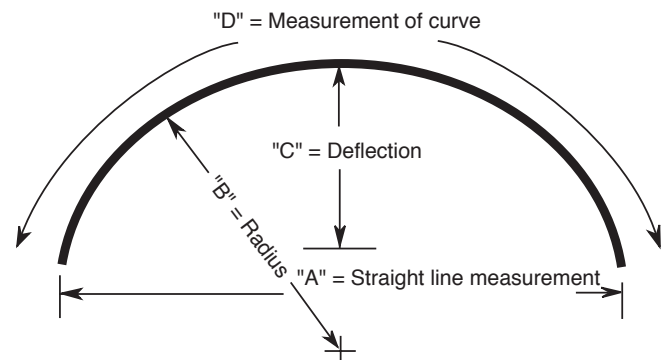


CURVED PANELS

When ordering curved panels or gates, you must be able to give at least one of the following combinations of measurements:

1. Straight line and deflection measurement ("A" & "C")
— **or** —
2. Radius and measurement of the curve ("B" & "D")
— **or** —
3. Deflection and measurement of the curve ("C" & "D")

When ordering Aristocrat or Modern style, specify if the pickets are on the inside or the outside of the curve.
Add per lineal foot — \$



ARCHING OR SWOOPING OF RAILS ON GATES OR PANELS

This application is available only on 1", 1-1/2", or 2" square tubular rails only.

The prices listed below are ADDED to NON-STANDARD prices.

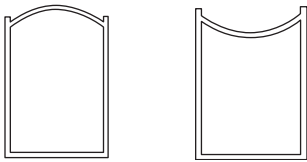
When ordering custom applications, allow for additional manufacturing time.

Contact your salesperson for pricing on rails only, not welded in gates.

SIMPLE ARCHING or SWOOPING TOPS

Single Rail

Add to Non-Standard prices.



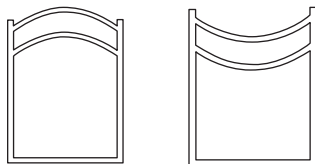
Opening	1" frame	1-1/2" frame	2" frame
---------	----------	--------------	----------

0 - 10'
11' - 20'
21' - 30'

SIMPLE ARCHING or SWOOPING TOPS

Double Rail

Add to Non-Standard prices.



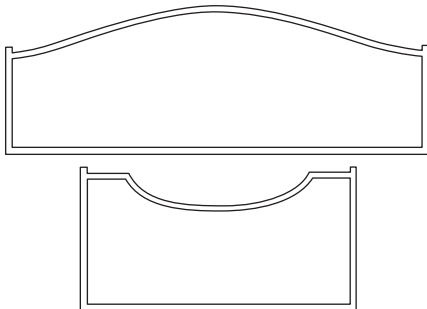
Opening	1" frame	1-1/2" frame	2" frame
---------	----------	--------------	----------

0 - 10'
11' - 20'
21' - 30'

COMPOUND ARCHING or SWOOPING TOPS

Single Rail

Add to Non-Standard prices.



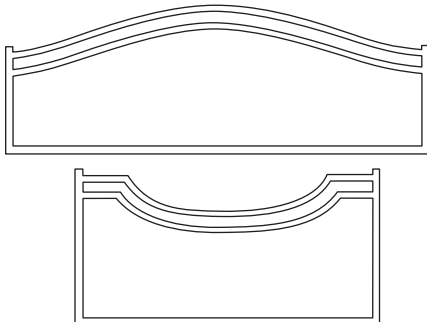
Opening	1" frame	1-1/2" frame	2" frame
---------	----------	--------------	----------

0 - 10'
11' - 20'
21' - 30'

COMPOUND ARCHING or SWOOPING TOPS

Double Rail

Add to Non-Standard prices.



Opening	1" frame	1-1/2" frame	2" frame
---------	----------	--------------	----------

0 - 10'
11' - 20'
21' - 30'

See page 6 for addition of pickets and/or circles between rails.

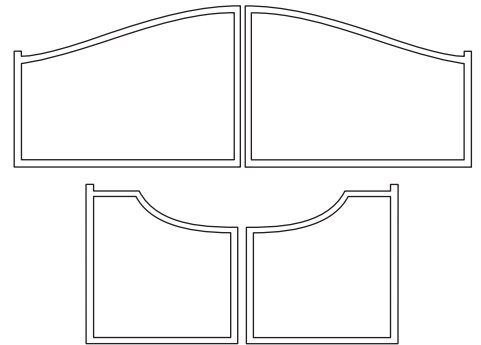
COMPOUND ARCHING or SWOOPING TOPS

Single Rail — Double Drive

Add to Non-Standard gate prices.

Opening	1" frame	1-1/2" frame	2" frame
---------	----------	--------------	----------

0 - 10'
11' - 20'
21' - 30'



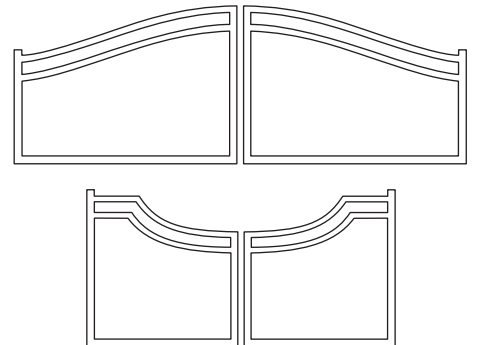
COMPOUND ARCHING or SWOOPING TOPS

Double Rail — Double Drive

Add to Non-Standard gate prices.

Opening	1" frame	1-1/2" frame	2" frame
---------	----------	--------------	----------

0 - 10'
11' - 20'
21' - 30'



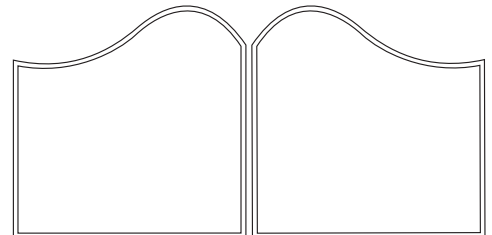
SCALLOPED COMPOUND ARCHING TOPS

Single Rail — Double Drive

Add to Non-Standard gate prices.

Opening	1" frame	1-1/2" frame	2" frame
---------	----------	--------------	----------

11' - 20'
21' - 30'

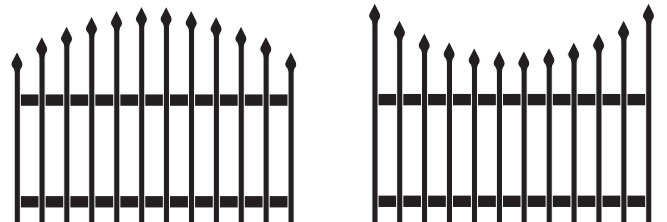


ARCHING or SWOOPING OF PICKETS ONLY

Available in Aristocrat, Guardian and Modern only.

Add to Non-Standard panel or gates prices.

Price per lineal foot — \$



See page 6 for addition of pickets and/or circles between rails.

Custom Flame Cutting

3/16" thick up to 2" thick steel

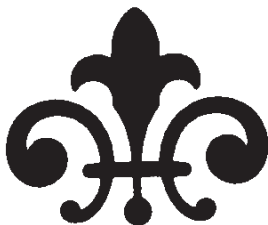
*Fax or mail your design
for a quotation.*



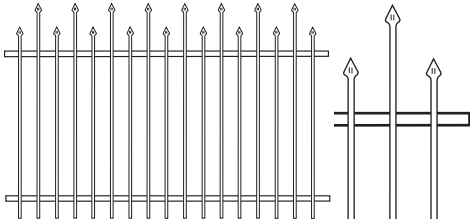
**A VARIETY OF STANDARD STYLES
OF LETTERS AND NUMBERS
IS AVAILABLE AT YOUR REQUEST.**

A B C D E F G

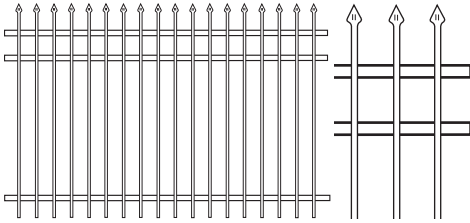
1 2 3 4



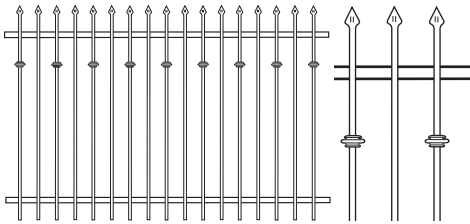
001



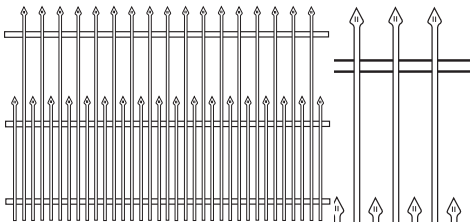
002



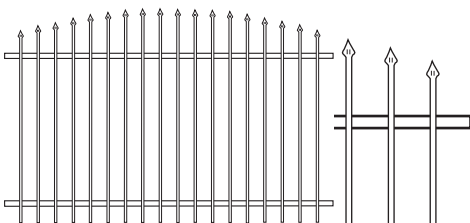
003



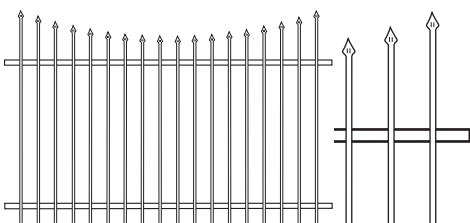
004



005



006

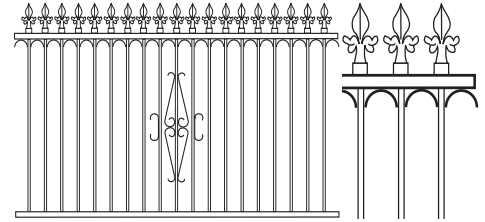


Beautiful & Elegant Variations

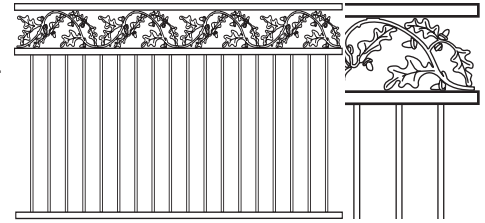
Available in residential and commercial grades.

We will gladly modify any of our styles to accommodate your particular problems or designs, or we will fabricate an entirely new look based on your own specifications.

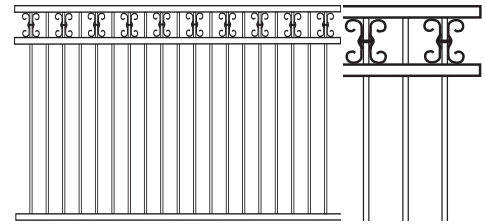
007



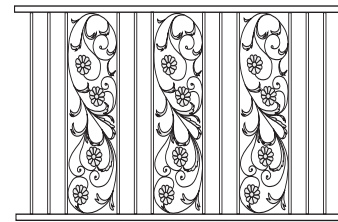
008A



009

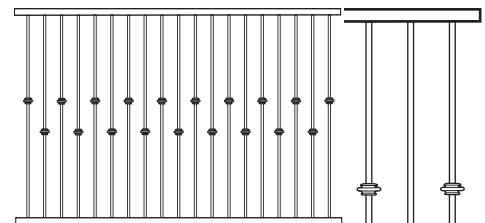


010

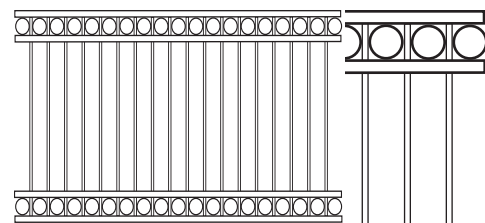


Available in Rose, Grape, Oak, Bird of Paradise and other styles to choose from.

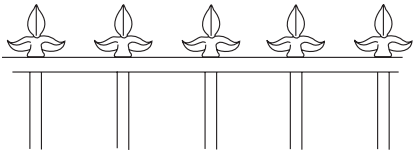
011



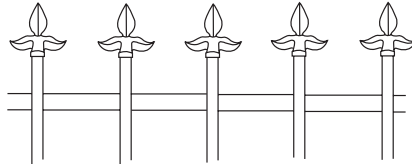
012



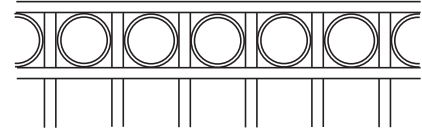
- 001 **Aristocrat** style with alternating height pickets
- 002 **Aristocrat** style with double top rail
- 003 **Aristocrat** style with cast iron knuckle every other picket
- 004 **Aristocrat** style with doggie pickets
- 005 **Aristocrat** style with arching pickets
- 006 **Aristocrat** style with swooping pickets
- 007 **Empire** style with cast iron finials and steel scroll work
- 008A **Regal** style with horizontal castings
- 009 **Regal** style with double top rail and "C" scrolls
- 010 **Regal** style with cast iron balcony scrolls
- 011 **Regal** style with two rows of cast iron knuckles every other picket
- 012 **Regal** style with double top and bottom rails with circles between rails



Castings applied to rails.



Castings applied to pickets.



Circles and pickets applied to rails.
NOTE: Dose not include price of extra rail.

CASTINGS & CIRCLES

Add to the price per lineal foot of the material

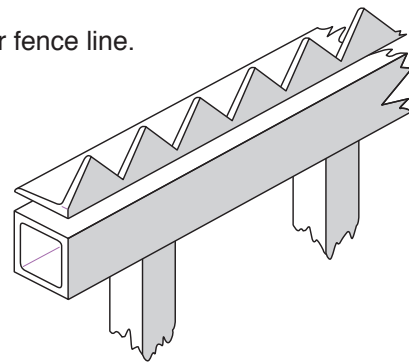
Application	Installed to picket	Installed to rail
#217, #217 w/ball, #215, #218, #227 Castings installed	per ft.	per ft.
#260, #270 Castings installed	per ft.	per ft.
#9-Y, #671AF Casting installed	per ft.	per ft.
Circles installed	per ft.	per ft.
Pickets installed between rails	N/A	per ft.
#51 Knuckle installed	per ft.	N/A

Castings are available in several styles. See ACCESSORIES section (page 3) for more information. Installed prices include the castings, circles, or pickets.

SECURITY LOAFER TOP RAIL

1-1/2" x 1-1/2" x 3/16" angle iron with saw tooth pattern.
Utilized on top of a fence or gate rail to prevent or discourage climbing over fence line.
For security applications only.
Not for use on residential fencing or on fencing below 6 feet in height.

Add per lineal foot of fence or gate — \$



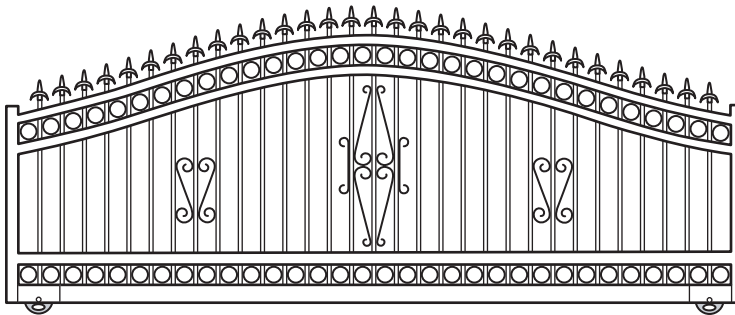
8530 UNSWORTH AVE. SACRAMENTO, CA 95828-1009 1-916-381-4065	13111 DAHLIA ST. FONTANA, CA 92337-6902 1-909-350-9040	8937 SAN FERNANDO RD. SUN VALLEY, CA 91352-1410 1-818-504-3700	1265 N. CUYAMACA ST. EL CAJON, CA 92020-1549 1-619-449-0333	10010 PORTLAND AVE. TACOMA, WA 98445-3956 1-253-535-5500
---	--	--	---	--

ARCA ROLLING GATES

Height at Tallest Point

Opening	6'	7'	8'
---------	----	----	----

16'
18'
20'
22'
24'



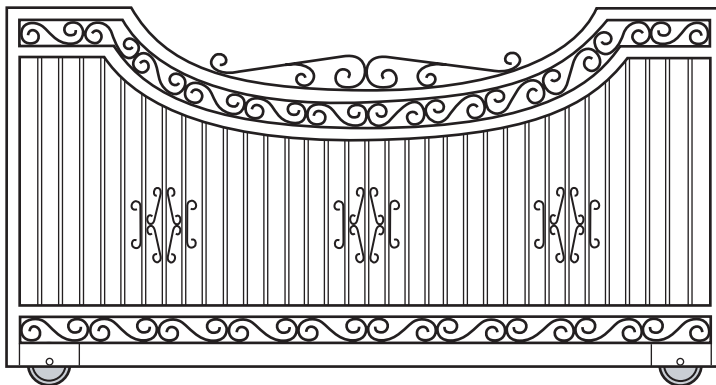
Gates are manufactured with 2" top rail and sides with a 2" x 4" bottom rail (4" view), 3/4" sq. pickets and 4" picket spacing. Old style gates with square bottom rail and old style wheel boxes are available upon request.
Note: Ground clearance reduced to 2". Call for pricing on custom variations.

DIPLOMAT ROLLING GATES

Height at Tallest Point

Opening	6'	7'	8'
---------	----	----	----

16'
18'
20'
22'
24'



PRICE INCLUDES GATES AS SHOWN

- 2 — Pressed Steel Caps
- 1 — Roller Assembly
- 1 — Industrial Slide Gate Latch
- 2 — 6" V-Groove Wheels
- 1 — "V" Track with J-Bolts or Tabs

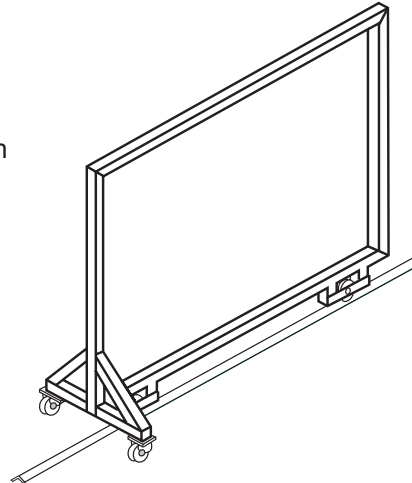
OUTRIGGERS and MITERED CORNERS

Outriggers are utilized on larger rolling gates for additional stability. Outrigger will be manufactured of 1-1/2" or 2" square tubing to match the gate frame size.

Add per outrigger set — \$ (includes two 6" rubber wheels).

Outriggers are field welded to gate.
Mitered corners are manufactured by special order only.
Welds are ground to smooth finish.

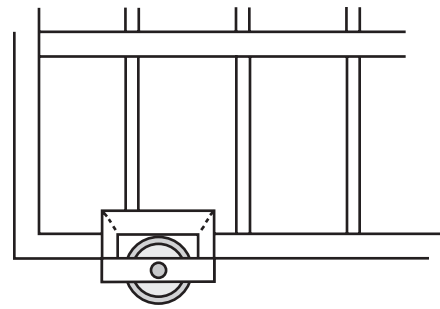
Add per mitered corner — \$



WHEEL BOX with WHEEL (welded into gate)

- 6" Rubber wheel assembly
- 8" Rubber wheel assembly
- 4" Malleable V-Groove wheel assembly
- 6" Malleable V-Groove wheel assembly

(Add price per each wheel box assembly)



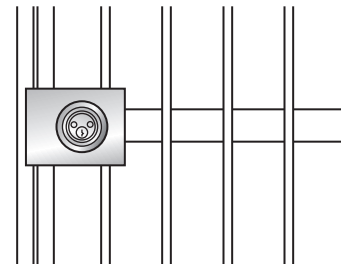
LOCK BOXES (welded into gate)

- Single hole Lockbox
- Double hole Lockbox

(Add price per each lockbox)

When lockbox is utilized, it is recommended that 1" x 3/16" flat strap be installed horizontally and welded to each picket in order to prevent forced entry. (See illustration)

1" x 3/16" flat strap installed — add \$ per lineal foot of gate

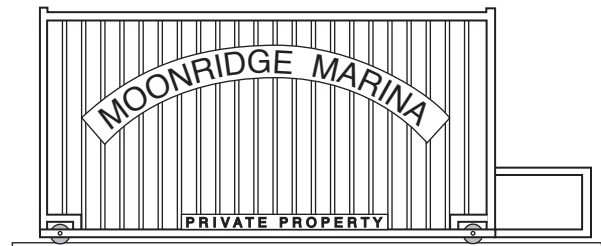


SLIDE GATE TAIL (welded into gate)

Slide Gate Tail (2' high x 3' long), is necessary on gates using an electric gate operator. It is used to supply additional length only. When ordering, specify which side of the gate requires a tail (left side or right side) as viewed from outside the fence line.

- 1-1/2" Square tubular tail
- 2" Square tubular tail

Ask your salesperson for special lettering welded into gate.



8530 UNSWORTH AVE. SACRAMENTO, CA 95828-1009 1-916-381-4065	13111 DAHLIA ST. FONTANA, CA 92337-6902 1-909-350-9040	8937 SAN FERNANDO RD. SUN VALLEY, CA 91352-1410 1-818-504-3700	1265 N. CUYAMACA ST. EL CAJON, CA 92020-1549 1-619-449-0333	10010 PORTLAND AVE. TACOMA, WA 98445-3956 1-253-535-5500
---	--	--	---	--

TRUSSING

Diagonal Trussing or V-Trussing

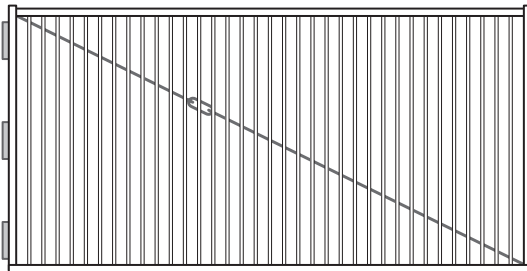
Add \$ per lineal foot of gate.

Price includes:

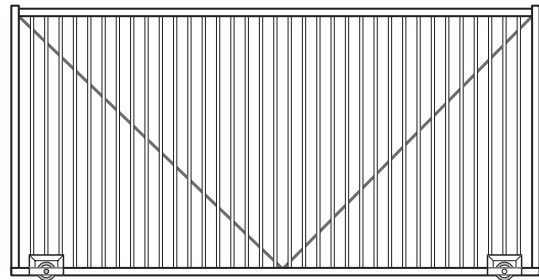
- 3/4" square tubing
- 3/16" x 1" flat strap
- 1/2" round bar
- 5/8" round bar

For each turnbuckle, add \$

HINGE
SIDE



DIAGONAL TRUSS USED ON SWING GATES



V- TRUSS USED ON ROLLING GATES

SPECIAL PICKET SPACING

(ADD TO "non-standard price" per lineal foot)

Spacing	Picket size	2'	3'	4'	5'	6'	7'	8'
2-1/2"	1/2" sq.							
2-3/8"	5/8" sq.							

(SUBTRACT FROM "non-standard price" per lineal foot)

Spacing	Picket size	2'	3'	4'	5'	6'	7'	8'
5-1/2"	1/2" sq.							
5-3/8"	5/8" sq.							

8530 UNSWORTH AVE. SACRAMENTO, CA 95828-1009 1-916-381-4065	13111 DAHLIA ST. FONTANA, CA 92337-6902 1-909-350-9040	8937 SAN FERNANDO RD. SUN VALLEY, CA 91352-1410 1-818-504-3700	1265 N. CUYAMACA ST. EL CAJON, CA 92020-1549 1-619-449-0333	10010 PORTLAND AVE. TACOMA, WA 98445-3956 1-253-535-5500
---	--	--	---	--